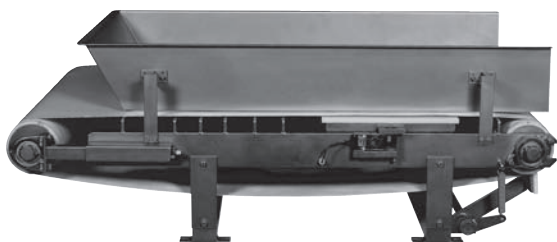


Instruction Manual • May 2008



million
in one

milltronics
WEIGHFEEDER 600

SIEMENS

Safety Guidelines: Warning notices must be observed to ensure personal safety as well as that of others, and to protect the product and the connected equipment. These warning notices are accompanied by a clarification of the level of caution to be observed.

Qualified Personnel: This device/system may only be set up and operated in conjunction with this manual. Qualified personnel are only authorized to install and operate this equipment in accordance with established safety practices and standards.

Unit Repair and Excluded Liability:

- The user is responsible for all changes and repairs made to the device by the user or the user's agent.
- All new components are to be provided by Siemens Milltronics Process Instruments Inc.
- Restrict repair to faulty components only.
- Do not reuse faulty components.

Warning: This product can only function properly and safely if it is correctly transported, stored, installed, set up, operated, and maintained.

This product is intended for use in industrial areas. Operation of this equipment in a residential area may cause interference to several frequency based communications.

Note: Always use product in accordance with specifications.

Copyright Siemens Milltronics Process Instruments Inc. 2008. All Rights Reserved	Disclaimer of Liability
This document is available in bound version and in electronic version. We encourage users to purchase authorized bound manuals, or to view electronic versions as designed and authored by Siemens Milltronics Process Instruments Inc. Siemens Milltronics Process Instruments Inc. will not be responsible for the contents of partial or whole reproductions of either bound or electronic versions.	While we have verified the contents of this manual for agreement with the instrumentation described, variations remain possible. Thus we cannot guarantee full agreement. The contents of this manual are regularly reviewed and corrections are included in subsequent editions. We welcome all suggestions for improvement. Technical data subject to change.

MILLTRONICS® is a registered trademark of Siemens Milltronics Process Instruments Inc.

Contact SMPI Technical Publications at the following address:

Technical Publications
Siemens Milltronics Process Instruments Inc.
1954 Technology Drive, P.O. Box 4225
Peterborough, Ontario, Canada, K9J 7B1
Email: techpubs.smpi@siemens.com

European Authorized Representative

Siemens AG
Industry Sector
76181 Karlsruhe
Deutschland

- For a selection of Siemens Milltronics level measurement manuals, go to: **www.siemens.com/processautomation**. Under Process Instrumentation, select *Level Measurement* and then go to the manual archive listed under the product family.
- For a selection of Siemens Milltronics weighing manuals, go to: **www.siemens.com/processautomation**. Under Weighing Technology, select *Continuous Weighing Systems* and then go to the manual archive listed under the product family.

Table of Contents

Milltronics Weighfeeder 600	1
Safety Notes	1
The Manual	1
Safety	2
Safety and General Precautions	2
Specifications	3
Operation	5
Weighfeeders	5
Mechanical Installation	6
Installation	6
Calibration	8
Test Load	8
Zero	8
Span	8
Wiring	9
Start Up	10
Shear Gate	10
Skirtboards	10
Changing the Conveyor Belt	11
Belt Tension	11
Belt Tracking	12
.....	12
Telescoper Adjustment	12
Load Cell Replacement	13
Removing Old Load Cell	13
Installing New Load Cell	14
Calibration	15
Quick Start Up Overview	15
Troubleshooting	16
Mechanical Troubleshooting	16
Maintenance	17
Preventative Maintenance	17
Recommended Preventative Maintenance Schedule	17
General Maintenance	17
Lubrication	18
Weighfeeder Storage Recommendations	18
Dimensions	19

Milltronics Weighfeeder 600

Milltronics Weighfeeder 600 is a low- to medium capacity weighfeeder for minor ingredient additives.

The unique weigh system applies live load directly to two platform load cells. The Milltronics Weighfeeder 600 comes with weigh bridge, speed sensor, and test weights. An integrator is required to complete the system.

Safety Notes

Special attention must be paid to warnings and notes highlighted from the rest of the text by grey boxes.



WARNING means that failure to observe the necessary precautions can result in death, serious injury, and/or considerable material damage.

Note: means important information about the product or that part of the operating manual.

The Manual

Notes:

- The Milltronics Weighfeeder 600 product is to be used only in the manner outlined in this instruction manual.
- This product is intended for use in industrial areas. Operation of this equipment in a residential area may cause interference to several frequency based communications.

This instruction manual covers the operation, installation, and maintenance of Weighfeeder 600. Specific information for your Weighfeeder model is also included such as: motor, reducer, testing documents, customer application data, spare parts.

Please refer to this manual for proper installation and operation of Milltronics Weighfeeder 600. Adhering to the installation and operating procedures will ensure a quick, trouble-free installation and allow for the maximum accuracy and reliability of your weighfeeder.

If you have any questions, comments, or suggestions about the manual contents, please email us at techpubs.smpi@siemens.com.

For the complete library of Siemens manuals, go to www.siemens.com/processautomation.

Safety

Safety and General Precautions



WARNING: Always follow safe practices when working on or around the Milltronics Weighfeeder 600, especially in wet environments and when adjacent to conductive steel mounting framework.

ALWAYS STOP the belt, lock-out, and/or place a "Do Not Energize" tag on the main disconnect before working on or around the weighfeeder.

Note: A weighfeeder can be dangerous. Pinch points exist along the conveyor belt line.

Secure the weighfeeder when:

- replacing the belt
- placing or removing the calibration test chain
- working on or around the load cell
- working on or around the speed sensor



WARNING: Whenever working near chain or belt drives, make sure guards are in place and the equipment is safely secured. The pinch points created by these drives can be serious.

Specifications

Accuracy

- $\pm 0.5\%$

Operating Temperature

- -10 to +40 °C (+14 to +104 °F)

Materials

- mild steel with stainless steel, abrasive resistant contact parts optional

Load Cells

- two corrosion resistant platform type with mechanical overload protection (aluminum or stainless steel)
- non-linearity $\pm 0.03\%$
- non-repeatability $\pm 0.02\%$

Speed Sensor

- C-flange mounted magnetic pulse generator, adapted between motor flange and reducer input flange
- optical encoder (optional)

Framework

- precision machined, stainless or mild steel
- cantilevered design for easy belt replacement

Pulleys

- 152 mm (6") diameter with 6 mm (¼") rubber lagging on drive pulley for maximum traction, 152 mm (6") crowned tail.

Belting

- polyester carcass with polyurethane top cover and static control with vulcanised endless finger splice for maximum weighing consistency (standard)
- variety of different belts for specific applications (optional)

Belt Tension

- screw type, telescoper module with 150 mm (6") travel (mild or stainless steel)

Belt Cleaning

- UHMW blade type with spring tensioning at head pulley
- return plow

Belt Support

- edge of flatbars eliminates material buildup

Drive

- 0.37 kW (0.5 HP) TEFC AC or DC motor with shaft mounted worm gear reducer
- larger motors available

Shipping Weight

- 280 kg (617 lbs) minimum

Approvals

- for use in hazardous rated areas, consult with factory

Operation

Weighfeeders

Weighfeeders weigh bulk material while it is conveyed. An accurate rate of flow and totalized weight measurement is received without interrupting the flow of material in process. A weighfeeder can also control the rate of flow of the conveyed product.

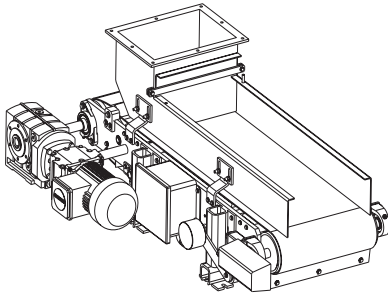
In-motion weighing requires accurate transmission of the product load to strain gauge load cells. The resulting voltage signal corresponding to weight is transmitted to the integrator and becomes one of the two inputs required for integration.

Unlike static weighing, in-motion weighing integration requires a second input: a pulse signal proportional to the speed of the conveyor belt. Each belt speed sensor pulse represents a fixed distance of the travel.

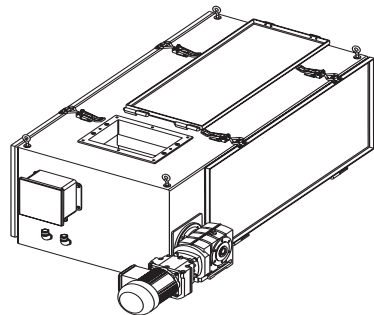
Since the force measured by the load cell is represented as weight per unit length, it can be multiplied by the distance of belt travel (one speed sensor pulse) to provide product weight for that segment of the belt ($\text{lbs/ft} \times \text{ft} = \text{lbs}$, or $\text{kg/m} \times \text{m} = \text{kg}$).

Adding the samples provides total throughput weight of product across the scale. With proper scaling and calibration, the total weight can be displayed in kilograms, pounds, short tons, long tons, metric tons, or other appropriate units

Open



Enclosed



Mechanical Installation

Perform a thorough and systematic inspection of containers immediately upon receipt of your Siemens weighfeeder. The containers are packed to separate each item and provide protection during shipping.

Note: Do not remove equipment from shipping crates or boxes until you check for possible shipping damage. Contact the carrier immediately if damage is noted.

Your weighfeeder has been designed, assembled, and factory tested for your specific application.

Notes:

- Refer to the mechanical drawings sent with this manual prior to commencing with installation.
- Do **NOT** remove the tagged load cell shipping bolt(s) until the installation is complete to prevent load cell damage.
- Do **NOT** weld on or near the weighfeeder while the load cell is connected to the electronic integrator. Damage to the integrator may result if the load cell is not disconnected from the integrator.
- Follow a scheduled, preventative maintenance program to ensure optimum performance and long equipment life.

Installation

Note: Only qualified personnel are authorized to install and operate this equipment. Installation shall be in accordance with local regulations, standards and established safety practices. Read and understand the instructions before installing, operating or maintaining the equipment.

1. Align the in-feed section of the weighfeeder with the discharge of the feed device. Prevent twisting or misalignment that could induce stress on the weighing section.
2. Securely fasten the unit to a rigid, level structure. Use a level for verification and shim as necessary. Prevent any twisting of the frame that may affect weighfeeder performance.
3. Construct the necessary support framework to provide a sturdy, rigid base. Vibration isolators are recommended if the location is subject to moderate or heavy vibration.
4. Inlet and discharge will not support load.

Note: If your system has a permanently lubricated gear motor, then disregard Step 5.

5. Check the gear reducer oil level. See the gear reducer information for further details on maintenance.
6. Flexible in-feed connections are **REQUIRED** for all applications. Flexible discharge connections are also recommended.
7. Connect the proper electric supply to the motor and/or motor controller, following the interwiring diagram supplied with this manual. The AC or DC motor controller (if

present) must be grounded to minimize noise to the electronic integrator. Refer to the applicable wiring diagram to make all electrical connections between the electronic integrator and the weighfeeder.

8. Remove only the tagged shipping bolt that is attached to the load cell. This bolt supports the weighbridge during transport and installation.

Note: DO NOT loosen or tighten the overload bolt—it has been factory set to minimize the possibility of load cell damage resulting from incidental overload.

9. Before starting the machine, make a final check to see that the conveyor belt is free of all tools and foreign objects.

Calibration

After Milltronics Weighfeeder 600 has been properly installed, calibration of the weighing system must be done in conjunction with the integrator. Refer to the integrator instruction manual for programming and calibration. The calibration is initially done using the supplied test load. Material tests are recommended to achieve maximum accuracy.

Test Load

The test load value for your Milltronics Weighfeeder 600 is given on the accompanying test sheet. The value is already entered into the dedicated programming parameter of the integrator, in kilograms per meter or pounds per foot.

Zero

Perform the zero calibration as described in the Calibration section of the integrator manual.

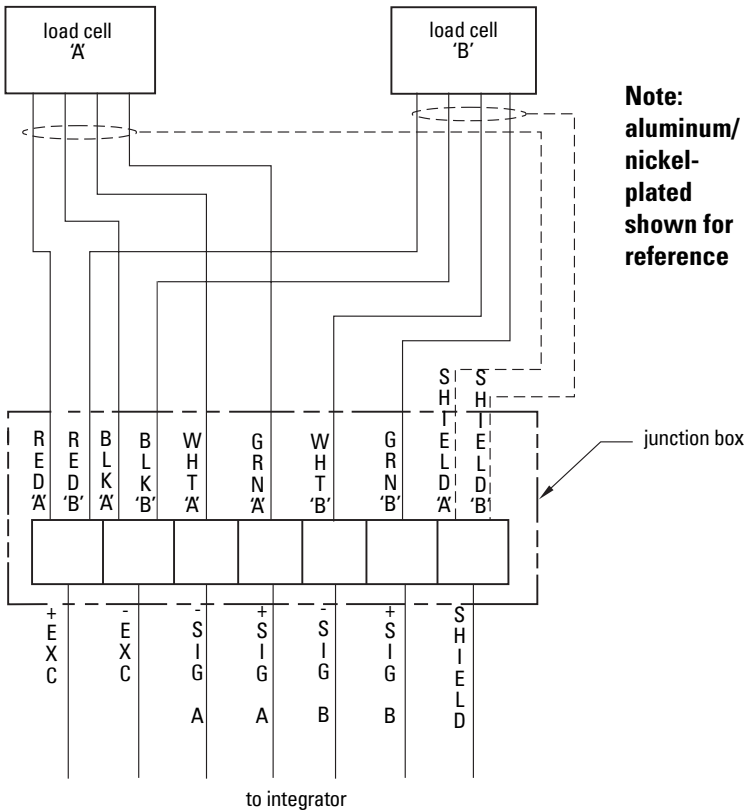
Span

The test load used in the calibration procedure is a set of factory sized and supplied test weights (2).

Perform the span calibration as described in the Calibration section of the integrator instruction manual.

After the span calibration has been completed, remove the test load and store it.

Wiring



Note:
aluminum/
nickel-
plated
shown for
reference

junction box

Wiring

SIEMENS	Aluminum/Nickel-plated	Stainless Steel
MILLTRONICS LC/SP JUNCTION BOX TB 1 +Excitation	RED	GREEN
TB 2 +Sense		
TB 3 -Sense	BLACK	BLACK
TB 4 -Excitation		
TB 5 +Load Cell A	GREEN	WHITE
TB 6 -Load Cell A	WHITE	BLACK/RED
TB 7 +Load Cell B	GREEN	WHITE
TB 8 -Load Cell B	WHITE	BLACK/RED
TB 9 SHIELD	YELLOW	YELLOW/CLEAR
TB 10 Speed Excitation	RED	RED
TB 11 Speed Common	BLACK	BLACK
TB 12 Speed Signal	WHITE	WHITE

Start Up

Your weighfeeder has been factory run-in for a minimum of four hours; it should require little adjustment. However, periodic inspections of the belt tracking are recommended.

Start the belt and observe rotation.

! WARNING: Turn off and lock out all power sources before correcting rotation. On DC motors, reverse the armature wires. On AC motors, reverse 2 of the 3 motor wires.

Start the belt again and observe the machine as it is running. If the belt is not tracking correctly or is tracking off center, see *Belt Tracking* on page 12.

Shear Gate

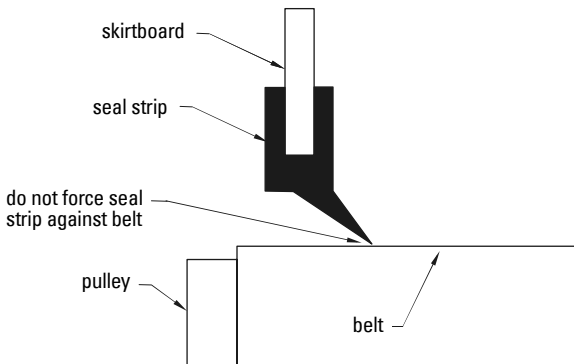
The shear gate on the inlet of the weighfeeder needs to be set to allow the maximum feedrate capacity requested by the customer. Consult your Siemens Milltronics representative if feed rate changes are required.

Skirtboards

The skirtboards have also been factory set to proper specifications. Note that near the inlet, the skirtboards are very close to the belt. However, toward the discharge end of the weighfeeder, the skirtboards are 1/8" to 3/16" higher off the belt. This relieving effect minimizes the possibility of material becoming lodged between the skirtboard and the belt.

Periodic adjustments of the skirtboards should not be necessary but if adjustment is required, set the skirtboards at the heights described above.

Your system may have been supplied with soft PVC seal strips if the product being conveyed is a fine powder. Position the seal strips on the skirtboards as shown.



Changing the Conveyor Belt

1. Open and remove the access and non-access side covers (omit this step on open construction models).
2. Mark the position of the telescopers for reference. This will be handy when you re-install the belt. Loosen the telescopers to remove tension from the belt.
3. At the discharge end of the conveyor, find the belt scraper spring tensioner. Unhook the spring on both sides of the belt scraper arm and let the belt scraper swing down away from the belt.

Note: Skirtboard removal or adjustment is not normally necessary to perform belt removal or installation, nor is it recommended.

4. Remove support posts on the access site, remove rail end extensions.
5. From the access side of the feeder at the discharge end, grab the edge of the belt on the top and bottom. Gently pull the belt over the side rail, making sure that the leading edge of the belt does not catch on the side rail.
6. Now repeat Step 4 on the inlet end of the feeder. Again, be careful not to cut or scrape the belt on the side rail.
7. When both ends have been pulled to the outside of the side rail, you may grab the belt in the middle and slowly remove the belt. As the belt is removed, mark the direction the belt was rotating. This mark will allow you to re-install the belt in the same direction. Take care when storing the belt to prevent kinks or other damage.
8. With the belt removed, inspect the feeder for material build up, lodged particles, and signs of wear, paying close attention to the weigh section area. Take care when cleaning the weigh section area, as 15 lbs. (or less) pressure placed on the weighbridge could cause loadcell damage.
9. Reverse steps 1-7 to re-install the same belt.

Note: On a new replacement belt, there may be an arrow printed on the underside of the belt. This arrow indicates what direction the belt should rotate when it is installed. If there is no arrow, rotation of the belt may be in either direction. Whenever a new belt is installed, perform the belt tracking procedure (see *Belt Tracking* on page 12).

Belt Tension

The ideal belt tension for any weighfeeder is just enough tension to prevent the belt from slipping on the drive pulley. The tension minimizes the effect of the belt on weighing accuracy. Often, the sole cause of an inaccurate weighfeeder is excessive belt tension.

Specific belt tension cannot be given because the weighfeeder could be mounted in various applications. As a general guideline, the bottom of the belt should droop 1-2 inches over the length of the weighfeeder. This is only an approximate specification, as your application may require more or less tension due to varying belt loading and other operating characteristics.

Belt Tracking

1. Before attempting to track the belt, be sure:
 - belt scraper and belt tension counterweights are in place
 - belt tension is near guidelines suggested on page 11
 - feeder is level and true
 - installation has not warped or twisted the frame
 - head and tail pulley are square
 - plow is contacting underside
2. Turn on the feeder and observe its tracking line on the head and tail pulleys. If the belt is drifting toward one side of the feeder, then adjust the telescoper on either side of the machine (see below).
3. Adjust belt tracking rollers as necessary.

Telescoper Adjustment

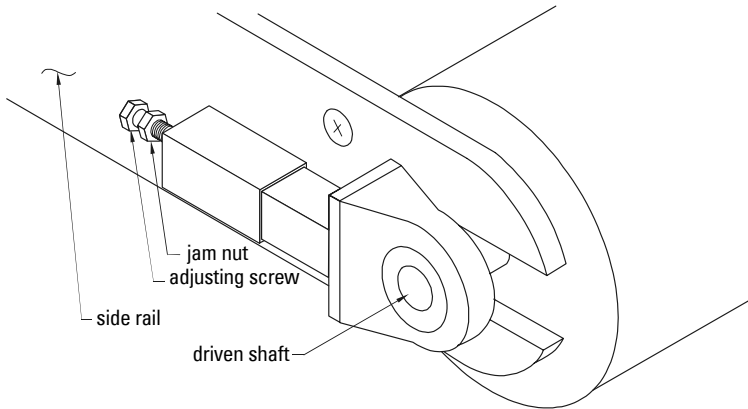
1. Determine which side of the weighfeeder you want to adjust. Compressing the telescoper on one side will cause the belt to drift toward that side of the weighfeeder. Conversely, extending the telescoper will cause the belt to drift away from that side of the weighfeeder.
2. Loosen the jam nut.
3. Turn the adjusting screw in the desired direction. Often, only a small amount of adjustment (1 turn or less) will be required.
4. Observe the results of the adjustment and then readjust, if necessary.

Steps 2 and three 3 need to be repeated to obtain perfect belt tracking.

Note: As you extend or compress the telescoper, you may be changing the belt tension. If belt tension has increased (or decreased) considerably while attempting to track the belt, then compress (or extend) both telescopers and complete the belt tracking process again. To avoid this problem, extend one telescoper while compressing the other to obtain proper belt tracking.

5. Re-tighten the jam nut located on the telescoper to maintain the new telescoper position after completing the tracking procedure.

6. If you are having problems tracking the belt, consult Siemens Milltronics. Common causes of belt tracking problems are: uneven or improperly distributed product loading, twisted frame, or product buildup on head or tail pulleys.



Load Cell Replacement



WARNING: ALWAYS STOP the belt, lock-out, and/or place a "Do Not Energize" tag on the main disconnect before working on or around the weighfeeder.

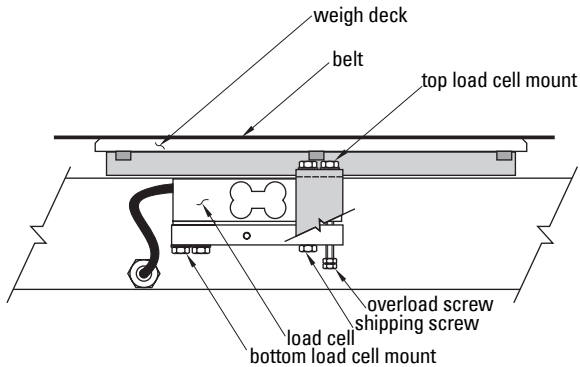
If a load cell on Milltronics Weighfeeder 600 has been damaged and is not functioning or if you are changing the capacity, you will need to replace one or all load cells.

Note: Please read and understand all of the instructions before proceeding with the replacement. Contact your Siemens Milltronics representative for assistance if you have any questions or problems.

Removing Old Load Cell

1. Confirm the new replacement load cell is correct and functional. Using a digital volt meter or ohm meter, verify that the resistance of the new load cell matches the resistance printed on the specification sheet that comes with the load cell. If the resistances do not match, the load cell may be damaged. Consult your Siemens Milltronics representative.
2. Disconnect the load cell being replaced from the junction box. Verify that the load cell is connected according to the interwiring diagram supplied with this manual. Disconnect the load cell from the load cell junction box. Free the load cell cable from the feeder so it is hanging free from the load cell.

3. Install the shipping screw (tagged) through the bottom load cell mount and into the load cell. Tighten the shipping screw until the load cell bottoms out on the overload screw.



4. Support the scale deck and remove the two top load cell mount bolts. Be careful not to move the deck as it is still attached to the load cell on the other side of the weighfeeder.
5. Remove the two bottom load cell mount bolts. The load cell is now held in place only by the shipping bolt.
6. Support the scale deck with a block of wood or have an assistant hold it. Remove the shipping screw and slide the load cell off the feeder.

Installing New Load Cell

1. Slide the new load cell into position and carefully screw in the load cell shipping screw. Do not overtighten the screw.
2. Install the two bottom load cell mount bolts. Tighten them by hand. Now re-tighten the shipping bolt so the load cell is resting against the overload stop.
3. Install the two top load cell mount bolts. Tighten them by hand.
4. Start with the bottom load cell mounting bolts and tighten them to 200 in-lb torque. Now tighten the two top load cell mounting bolts to 200 in-lb torque.
5. Remove the shipping screw.
6. Route the load cell cable to the junction box and connect the load cell according to the supplied interwiring diagram. Repeat for other load cells if necessary.
7. Perform a load cell balancing procedure as described in the integrator instruction manual.

Calibration

1. Power up the integrator and using the appropriate integrator menu, verify that the new load cell(s) are operating correctly.
2. Zero calibrate the unit. using the integrator manual for reference. Record zero calibration procedure results.
3. Span calibrate the unit using the integrator manual for reference. Record span calibration procedure results.
4. Re-check zero calibration. Run another zero calibration and record the results. Verify that the zero repeated to the same value recorded in step 2.
5. Confirm calibration with material test as described in the integrator manual, if possible, before placing the feeder back in operation.

Quick Start Up Overview

1. Verify that the weighfeeder is installed properly as described in the *Mechanical Installation* section on page 6. Verify that the belt is tracking and the shear gate (if used) is properly set.
2. Verify that the weighfeeder, integrator/controller, and variable speed drive (AC or DC, if present) are all properly wired.
3. Verify that the data on the design data sheet included with this manual is correct and modify if required.
4. Refer to the supplied integrator/controller manual for calibration and configuration information.

Troubleshooting

Mechanical Troubleshooting

Review mechanical installation procedures and perform a thorough visual inspection to be sure the operating error is caused by a mechanical problem. Then review and check the common problems listed below.

Note: If you have difficulty determining the cause of the problem, contact the Service Department at Siemens Milltronics. Be sure to have the Model Number and Serial Number of your system and all of the calibration and setup parameters available before calling.

Zero Drift, non-repeatability, or non-linearity

Check for these following conditions:

- weigh deck alignment. Verify weigh deck alignment is as accurate as possible. Improper alignment is the most common mechanical problem affecting scale accuracy. Contact Siemens Milltronics if you find a problem here (should be 1/32" aligned with slider bars approach and retreat).
- material buildup on weigh section or pulleys, or between the weigh deck and feeder frame.
- belt mis-tracking.
- belt too tight.
- load cell bolts loose.
- speed sensor pulley slippage.
- load cell shipping bolt (tagged) never removed.
- head or tail pulley too high or low, relative to idler/slider bed alignment. The head and tail pulleys should be at least 1/8" lower than the approach and retreat slider beds.



WARNING: ALWAYS STOP the belt, lock-out, and/or place a "Do Not Energize" tag on the main disconnect before working on or around the weighfeeder.

Preventative Maintenance

The maintenance schedule below is recommended to maintain top performance and accuracy of the system. Weighfeeders mounted in severe weather or dusty conditions may require a more rigorous maintenance schedule.

Make sure the weigh idler is aligned with the approach and retreat sections for accurate weighing. Periodic measurement to verify alignment is recommended.

Recommended Preventative Maintenance Schedule

Item	Required Maintenance	Frequency	Comments
Weigh Section	Blow or brush off any material building up	Weekly	More frequently in dirty environments
Belt Tracking	Visually inspect to assure the conveyor belt remains trained	Daily	-----
Calibration Verify belt zero	Verify belt zero	Daily or at least once a week	See Calibration section of Integrator Manual
Calibration span check	Use Calibration Weights	Monthly	See Calibration section of Integrator Manual
Bearings	Inspect and lubricate as required	Every 10,000 hours	Use #3 NLGI grade lithium base grease
Electric motor (DC)	Check brushes	Every 10,000 hours	Inspect and replace as necessary
Electric motor (AC)	None	None	Bearings are sealed and permanently lubricated
Gear reducer	Check oil level/Replace oil	Monthly/ Every 2500 hours	Refer to manufacturer maintenance manual/See note on next page

General Maintenance

The equipment should be cleaned periodically to maintain accuracy. Any excess accumulation of product should be removed to minimize potential damage to the mechanical components and scale accuracy.

Abrasions, cuts, or ragged edges on the belt will create performance problems. Replace the belt if it becomes ragged or torn.

Lubrication

All head and tail pulley bearings are pre-greased at the factory. These bearings should be field greased periodically. The frequency of lubrication may vary due to specific operating conditions. Some dry, dusty applications may warrant weekly greasing, while other less harsh applications may need greasing only once or twice a year. In no case, however, should more than 10,000 hours elapse between re-greasing.

If there is a gear reducer supplied with your weighfeeder, it has an initial break-in period. After the first 250 hours of operation, the gear box(es) should be drained and refilled to the proper level(s). Subsequent oil changes should be done every 2500 hours. See the gear reducer manual provided for further details.

If there is a gear motor (motor and reducer all in one housing) supplied with your unit, it is permanently lubricated. No lubrication is necessary.

Weighfeeder Storage Recommendations

If a weighfeeder will be stored for a period of three months or more, follow the guidelines below:

Load Cell Care

The load cell shipping bolts should be installed whenever the feeder is moved. It is a good idea to install these shipping bolts during the storage period as an extra safety measure. Do not forget to remove the shipping bolts upon re-installation.

Gear Reducer/Gear Motor

Uncouple the gear reducer from the feeder drive shaft and the motor. After the reducer is removed, liberally grease all shaft surfaces with an appropriate lubricant to help with reassembly.

In addition, completely fill the gear reducer with an appropriate gear oil to prevent the formation of any oxidation. When the equipment is re-installed, completely drain this gear oil and refill the reducer to the appropriate level.

Electrical

To prevent oxidation, place a desiccant or moisture removal material in all electrical junction boxes component cabinets. This includes the load cell junction box, the integrator cabinet, and the motor speed controller enclosure (if present).

Lubrication

Grease all greasable points.

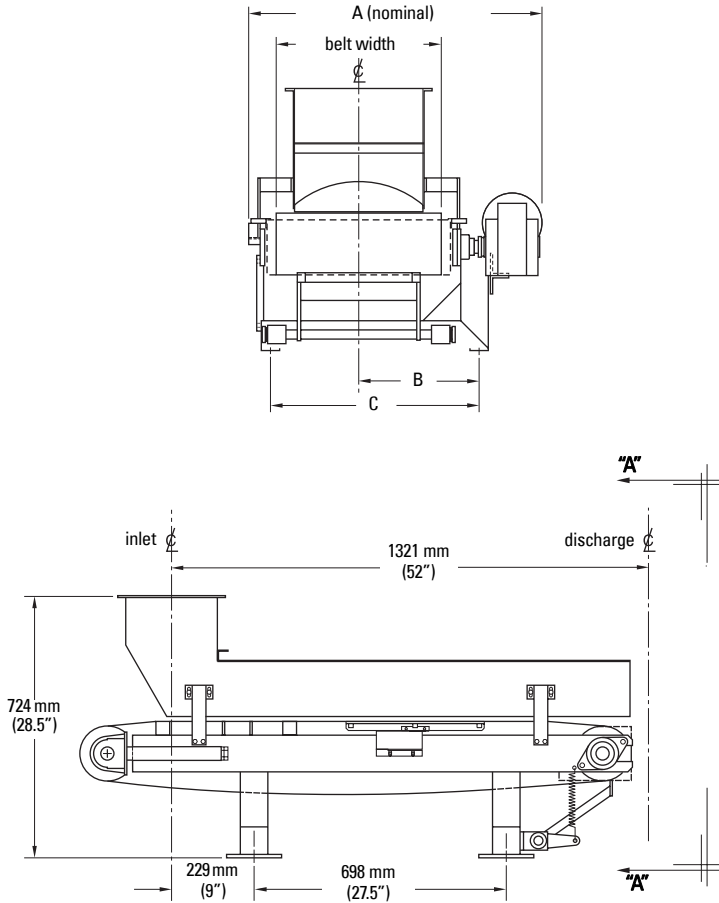
Belt Care

Reduce belt tension to a minimum to prevent belt damage and re-adjust belt tension at re-installation.

Note: Do **NOT** store the weighfeeder in direct sunlight, as this will cause premature breakdown of the belt.

Dimensions

Open Unit



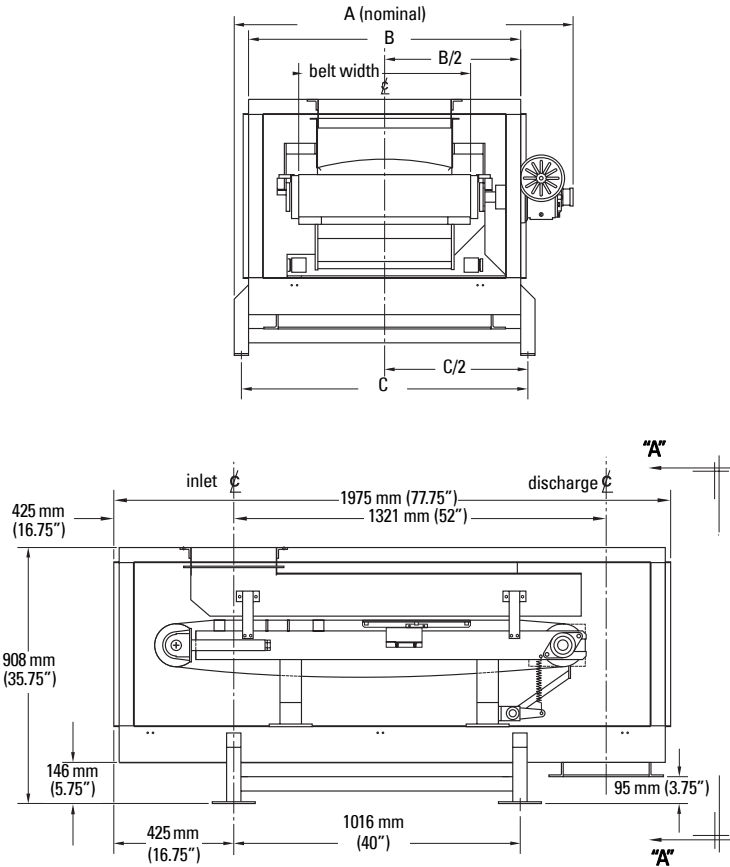
Open Unit			
Belt Width	A	B	C
305 mm (12")	660 mm (26")	257 mm (10.14")	425 mm (16.75")
457 mm (18")	813 mm (32")	333 mm (13.13")	578 mm (22.75")
610 mm (24")	965 mm (38")	410 mm (16.13")	730 mm (28.75")
762 mm (30")	1118 mm (44")	486 mm (19.13")	883 mm (34.75")
914 mm (36")	1270 mm (50")	562 mm (22.13")	1035 mm (40.75")
1067 mm (42")	1422 mm (56")	635 mm (25")	1187 mm (46.75")
1219 mm (48")	1575 mm (62")	711 mm (28")	1340 mm (52.75")

Dimensions

Enclosed Unit

Dimensions

view A-A



Enclosed Unit			
Belt Width	A	B	C
305 mm (12")	889 mm (35.38")	686 mm (27")	711 mm (28")
457 mm (18")	1051 mm (41.38")	838 mm (33")	864 mm (34")
610 mm (24")	1203 mm (47.38")	991 mm (39")	1016 mm (40")
762 mm (30")	1356 mm (53.38")	1143 mm (45")	1168 mm (46")
914 mm (36")	1508 mm (59.38")	1295 mm (51")	1321 mm (52")
1067 mm (42")	1661 mm (65.38")	1448 mm (57")	1473 mm (58")
1219 mm (48")	1813 mm (71.38")	1600 mm (63")	1626 mm (64")

Notes

Notes



www.siemens.com/processautomation

Siemens Milltronics Process Instruments Inc.
1954 Technology Drive, P.O. Box 4225
Peterborough, ON, Canada K9J 7B1
Tel: (705) 745-2431 Fax: (705) 741-0466
Email: techpubs.smpi@siemens.com

© Siemens Milltronics Process Instruments Inc. 2008
Subject to change without prior notice



7 M L 1 9 9 8 5 E K 0 1
Printed in Canada

Rev. 1.2